

## General Setup Instructions

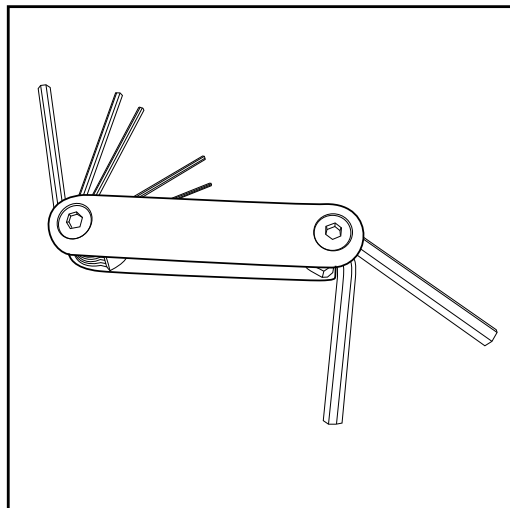
- Read entire setup instruction manual prior to unpacking parts and pieces.
- The setup instructions are created specifically for this configuration.
- Setup instructions are laid out sequentially in steps, including exploded views with detailed explanation for assembly.

## Cleaning & Packing

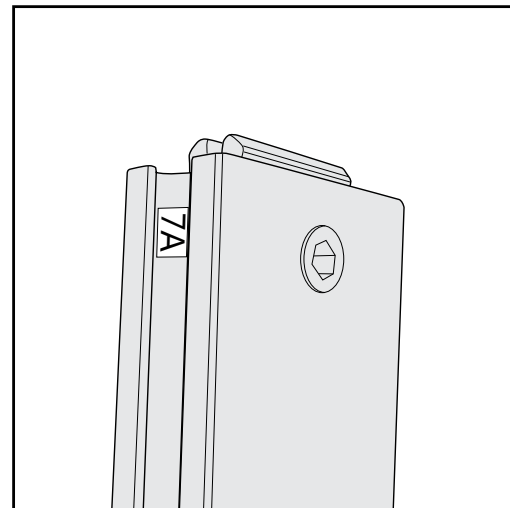
- For Cleaning Metal, Plex, & Laminate Parts: Use a **MILD NON-ABRASIVE** cleanser and soft cloth/paper towel to clean all surfaces.
- Keep exhibit components away from heat and prolonged sun exposure.  
**Heat and UV exposure will warp and fade components.**
- Retain all provided Packing Materials. All provided packing materials are for ease of repacking & component protection.

## Disassembly

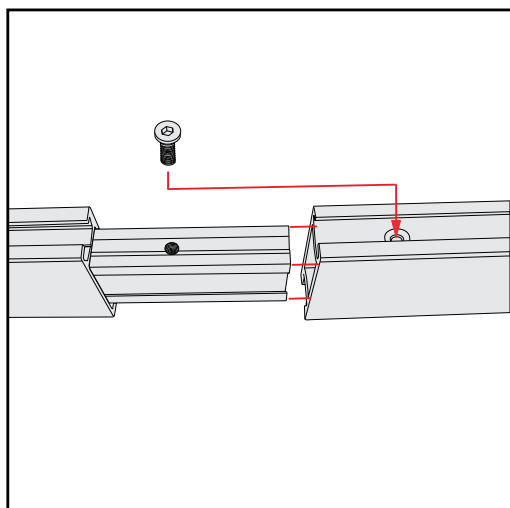
- For loss prevention, tighten all setscrews and locks during disassembly



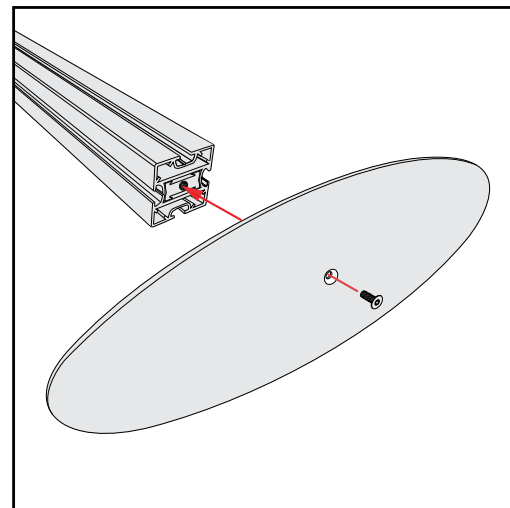
Hex Tool - Essential for Assembly



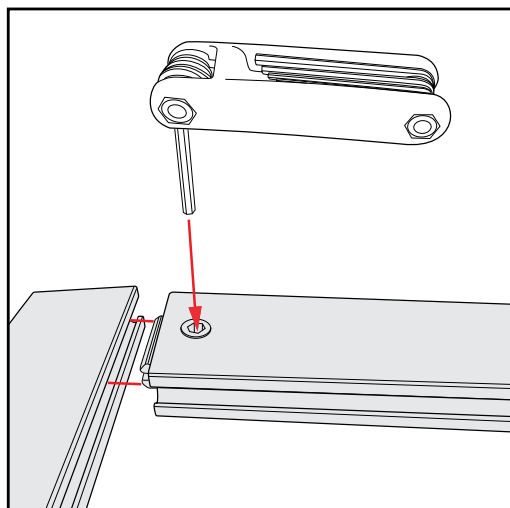
Part Identification - Numbering



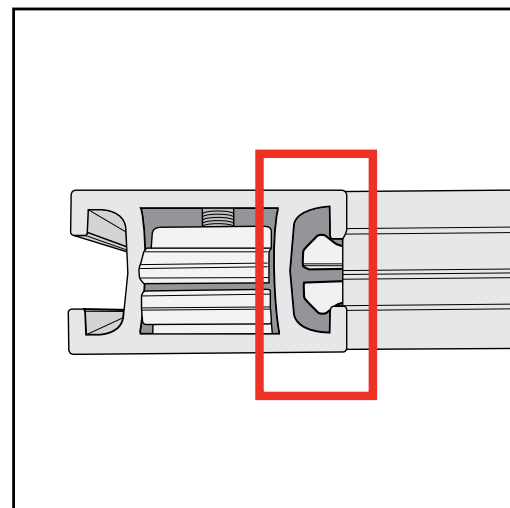
Spline Connection



Base Plate & Extrusion Connection



Extrusion & Lock Connection



Engaged Lock



# WARNING



DO NOT USE POWER TOOLS



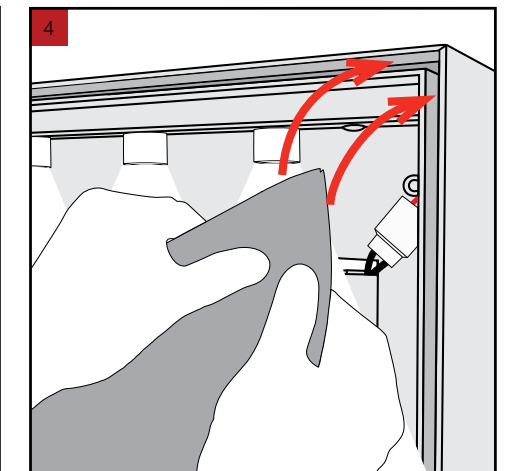
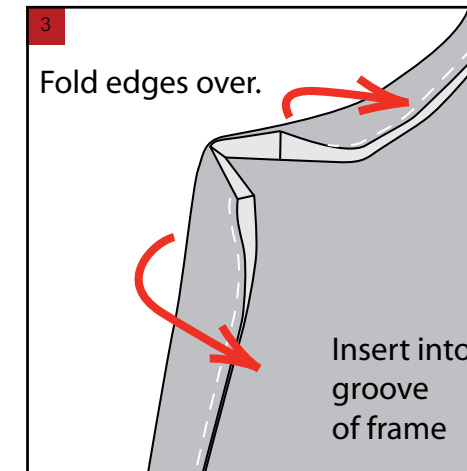
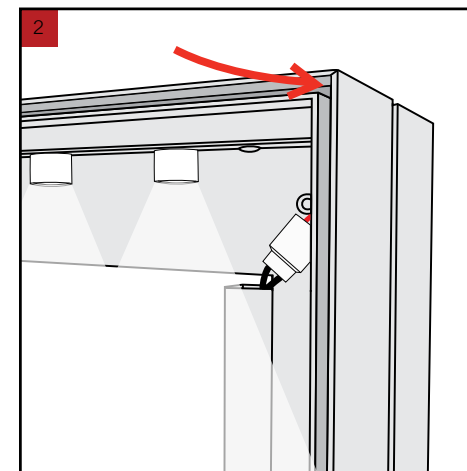
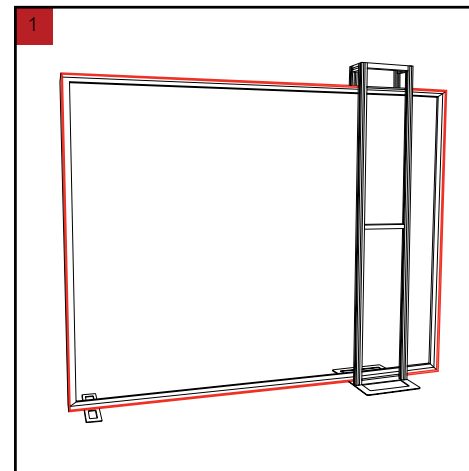
LADDERS OR LIFTS  
MAY BE REQUIRED



ALL CONNECTIONS MUST  
BE TIGHTLY SECURED

## SEG Graphic Installation

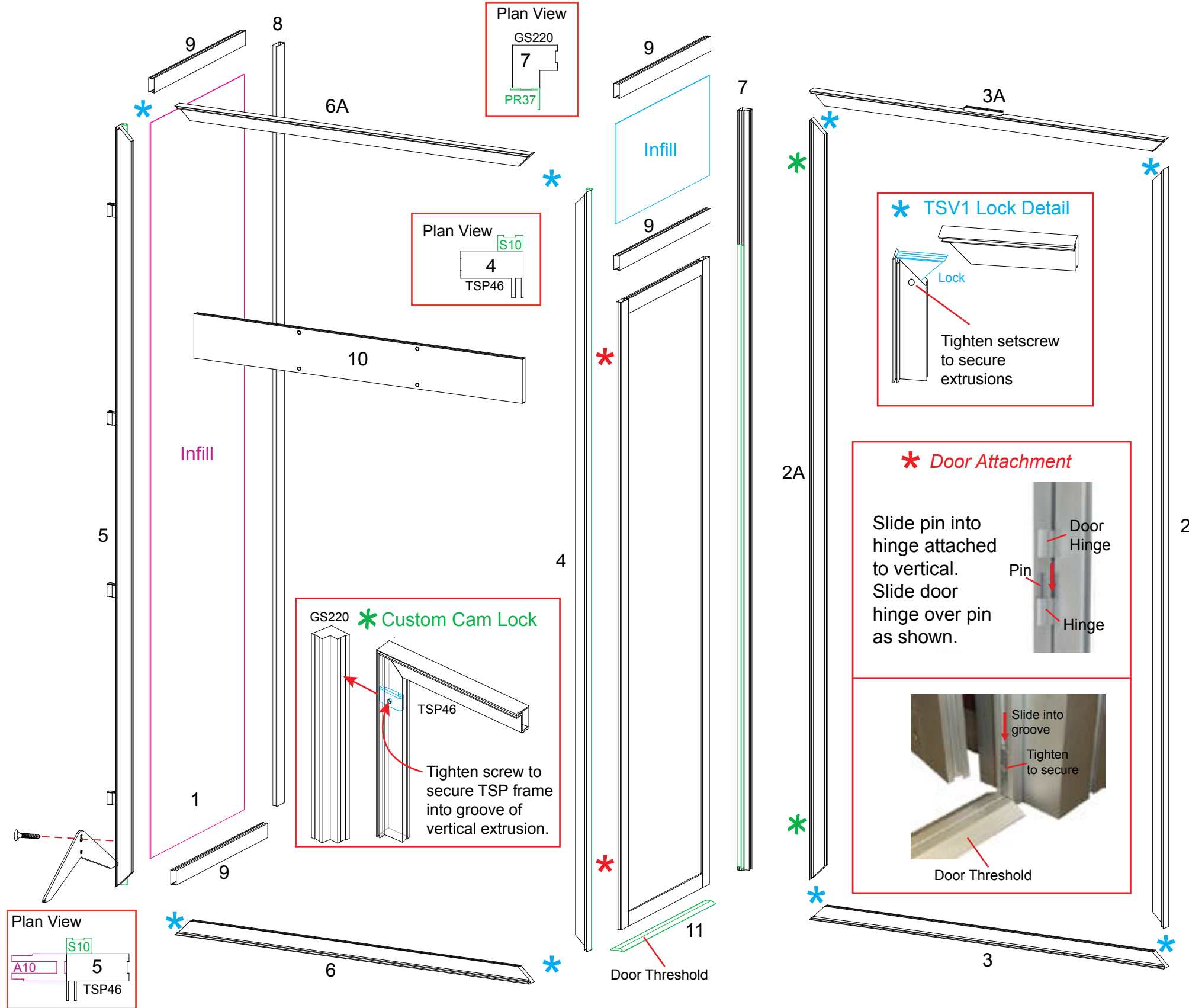
- 1) Locate channels along the edges of extrusions
- 2) Insert graphic corners first into channels then center point of graphic into channels. Allows for proportional fit around the perimeter of the extrusion.
- 3) Working from center to corner, slide silicon edge on graphic into channel.
- 4) After all edges of graphic have been inserted into channels, step back and assess graphic fit, make adjustments where needed.



Item	Qty.	Description
1	1	Boomerang Base Plate
2/2A	1/1	95"h TSP46 Vertical Extrusion
3/3A	1/1	48"w TSP46 Horizontal Extrusion
4	1	95"h TSP46 Vertical Extrusion w/ Door Hinge
5	1	95"h TSP46 Vertical Extrusion w/ A10 Clips
6/6A	1/1	48"w TSP46 Horizontal Extrusion
7	1	95"h GS220 Vertical Extrusion w/ Door Stop
8	1	95"h Z45 Vertical Extrusion
9	4	24"w Z45 Horizontal Extrusion
10	1	44.417"w Mounting Plate
11	1	24"w Door Threshold

**Steps:**

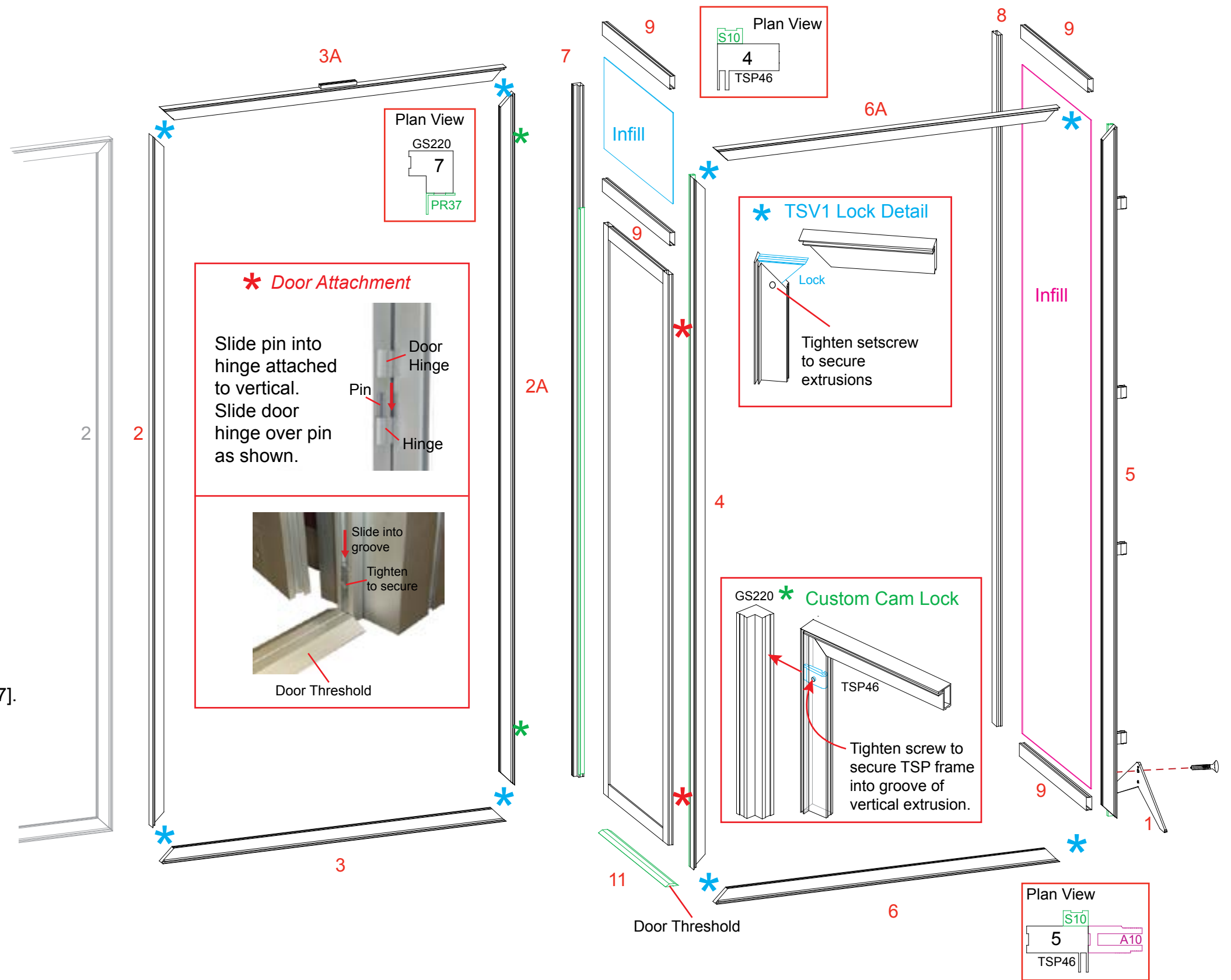
- 1) Connect vertical extrusions [2] & [2A] between horizontal extrusions [3] & [3A]. See **TSV1 Lock Detail** detail.
- 2) Attach Boomerang Base Plate [1] to base of extrusion [5]. See Boomerang Attachment detail.
- 3) Connect vertical extrusions [4] & [5] between horizontal extrusions [6/6A]. See **TSV1 Lock Detail** detail.
- 4) Attach vertical extrusion [7] to assembly [2/2A/3/3A]. See Custom Cam Lock detail.
- 5) Connect lower horizontal [9] between verticals [5] & [8].
- 6) Insert large **infill** panel between verticals [5] & [8]; secure with upper horizontal [9].
- 7) Connect door threshold [11] between verticals [4] & [7]. See Door Attachment detail.
- 8) Attach assembled door to hinges on vertical [4]. See Door Attachment detail.
- 9) Connect horizontal [9] above door & between verticals [4] & [7].  
NOTE: Leave enough space for door to open without conflict.
- 10) Insert small **infill** panel above door; secure with horizontal [9].
- 11) Connect horizontal mounting plate between verticals [4] & [5].
- 12) Apply SEG graphics to assembled TSP frames [2/2A/3/3A] & [4/5/6/6A]. See SEG Graphic Installation in General Information pages.



Item	Qty.	Description
1	1	Boomerang Base Plate
2/2A	1/1	95"h TSP46 Vertical Extrusion
3/3A	1/1	48"w TSP46 Horizontal Extrusion
4	1	95"h TSP46 Vertical Extrusion w/ Door Hinge
5	1	95"h TSP46 Vertical Extrusion w/ A10 Clips
6/6A	1/1	48"w TSP46 Horizontal Extrusion
7	1	95"h GS220 Vertical Extrusion w/ Door Stop
8	1	95"h Z45 Vertical Extrusion
9	4	24"w Z45 Horizontal Extrusion
11	1	24"w Door Threshold

**Steps:**

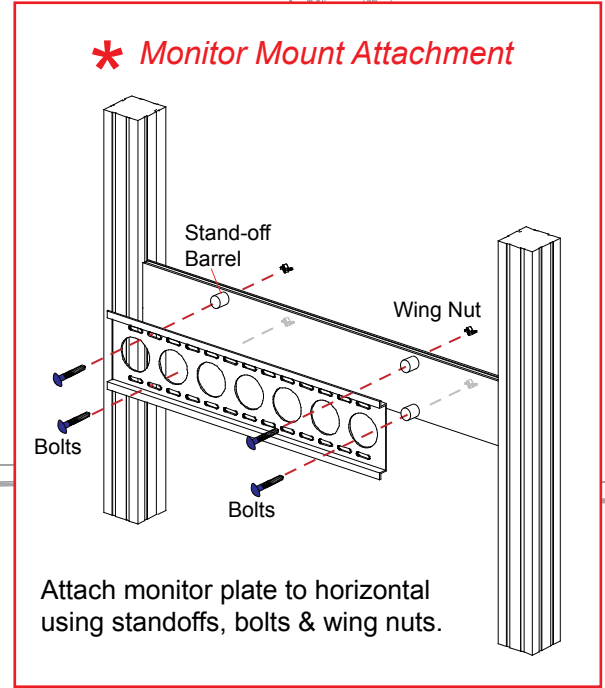
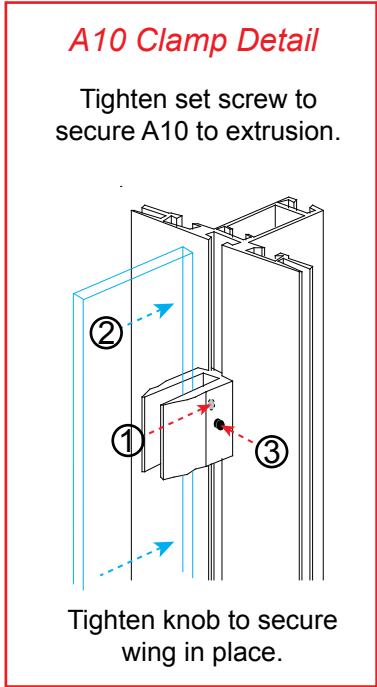
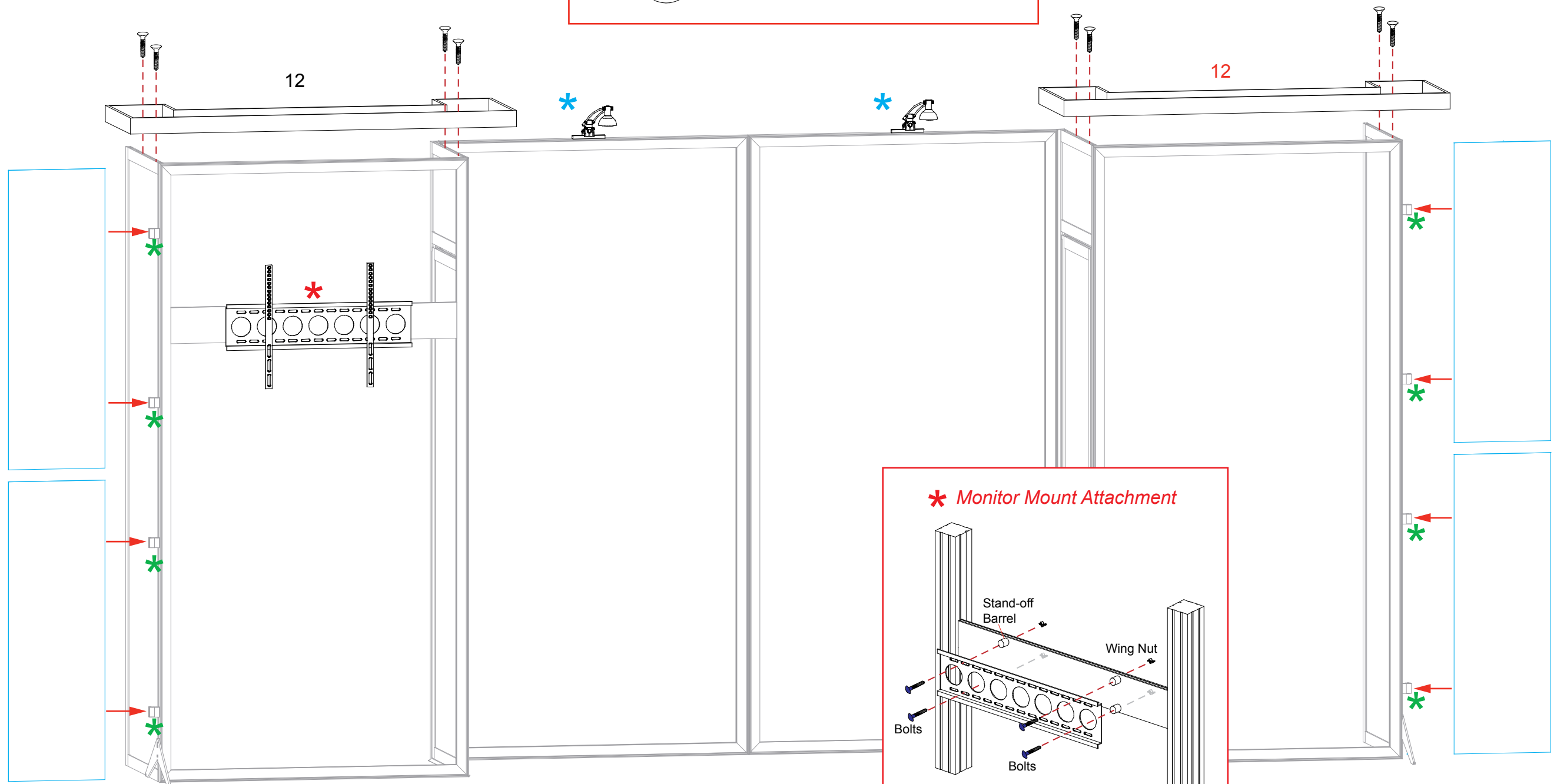
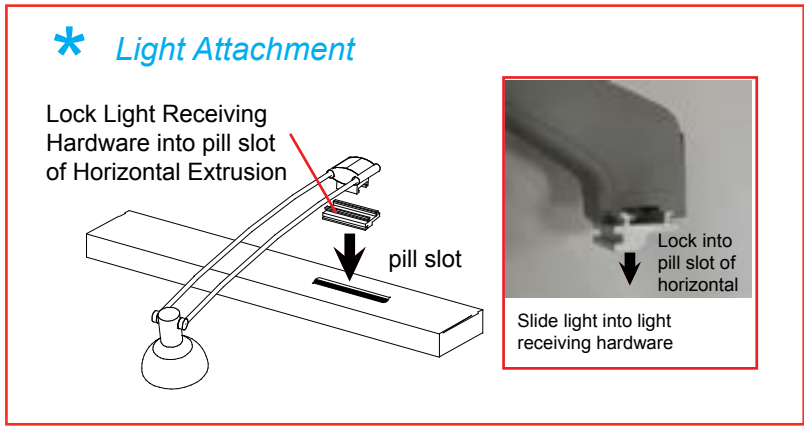
- 1) Connect vertical extrusions [2] & [2A] between horizontal extrusions [3] & [3A]. See [TSV1 Lock Detail](#) detail.
- 2) Attach Boomerang Base Plate [1] to base of extrusion [5]. See Boomerang Attachment detail.
- 3) Connect vertical extrusions [4] & [5] between horizontal extrusions [6/6A]. See [TSV1 Lock Detail](#) detail.
- 4) Attach vertical extrusion [7] to assembly [2/2A/3/3A]. See Custom Cam Lock detail.
- 5) Connect lower horizontal [9] between verticals [5] & [8].
- 6) Insert large **infill** panel between verticals [5] & [8]; secure with upper horizontal [9].
- 7) Connect door threshold [11] between verticals [4] & [7]. See Door Attachment detail.
- 8) Attach assembled door to hinges on vertical [4]. See Door Attachment detail.
- 9) Connect horizontal [9] above door & between verticals [4] & [7].  
NOTE: Leave enough space for door to open without conflict.
- 10) Insert small **infill** panel above door; secure with horizontal [9].
- 11) Apply SEG graphics to assembled TSP frames [2/2A/3/3A] & [4/5/6/6A]. See SEG Graphic Installation in General Information pages.



**Steps:**

- 1) Attach ceiling canopy [12] & [12] to the top of assembled booth.  
Use bolts provided.
- 2) Connect the monitor mount to the mounting plate [10].  
See **Monitor Mount Attachment** detail.
- 3) Attach light to light receiving hardware on horizontal [3A].  
See **Light Attachment** detail.
- 4) Connect Graphic Wings to verticals [5] using A10 Clips.  
See **A10 Clamp Detail** detail. Wings attach to left and right assemblies.

Item	Qty.	Description
12	1	Ceiling Canopy
12	1	Ceiling Canopy



Item	Qty.	Description
13	1	70" h Vertical Extrusion

**Steps:**

- 1) Attach internal shelf supports using velcro; insert internal shelf into kiosk cabinet.
- 2) Connect vertical extrusion [13] to cabinet body using standoff caps from the inside of the cabinet. See **Cabinet to Post Attachment** detail.
- 3) Place Counter top on top of cabinet. See **Counter Attachment** detail.
- 4) Attach Monitor Mount to vertical [13]. See **Monitor Mount Attachment** detail.

